



CCTV Truer than life

Weatherproof Day / Night Color Camera

► **Product Numbers :**

- FN55ATCB420VE359
- FN55ATCB420VE922
- FN55ATCB540VE359
- FN55ATCB540VE922

► **Key Features :**

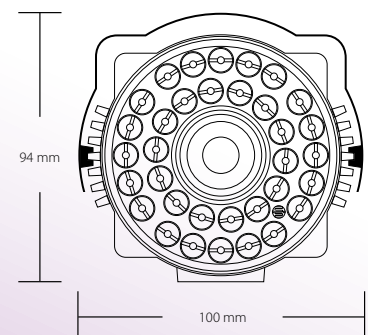
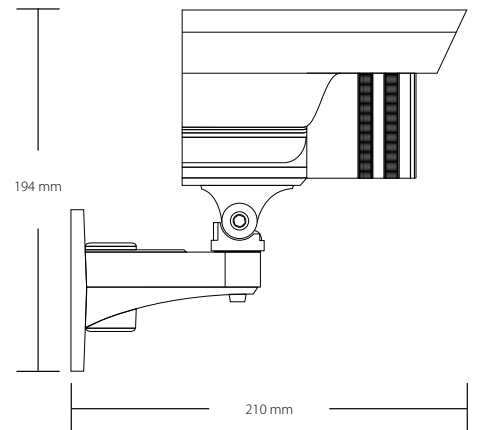
- Rear external adjustment
- Wires hidden in support
- Choice of varifocal lens
- Day / Night
- 420 or 540 TV lines



► **Technical Specifications :**

| Model | AT-CB420VE-359 AT-CB420VE-922 | AT-CB540VE-359 AT-CB540VE-922 |
|---------------------------|---|--|
| • Image pick-up device | SONY 1/3" CCD | |
| • Resolution | 420 TV Lines | 540 TV Lines |
| • Minimum Illumination | 0 Lux (with IR LED ON) | |
| • Auto electronic shutter | NTSC:1/60s~1/100,000s, PAL:1/50s~1/100,000s | |
| • IR project distance | 50 Meters (with 36 unit infrared LED) | |
| • IR status | Under 10 LUX by CDS | |
| • IR power on | CDS auto control | |
| • Video output | 1Vpp, 75Ω | |
| • Auto gain control | Auto | |
| • Power Source | 12VDC (±10%) / 700mA | |
| • Lens | 3.5~9mm 9~22mm | 3.5~9mm 9~22mm |
| • Dimensions (mm) | See diagram | |
| • Weight | 1150g | |

► **Physical Dimensions :**



Design and specifications are subject to change without notice.